



Scott Shaw, scott.shaw@klscontrols.com, Phone: 414-333-4070

Sensopart Line Scanner FZS-1024

Technical Data:

- Accuracy: 0,1 % of detection with (defined by the lens focal length and the working distance)
- Sampling rate: max. 500 1/s
- Operating voltage: 24 V DC
- Signal output: 0...10 V alt. 4...20 mA

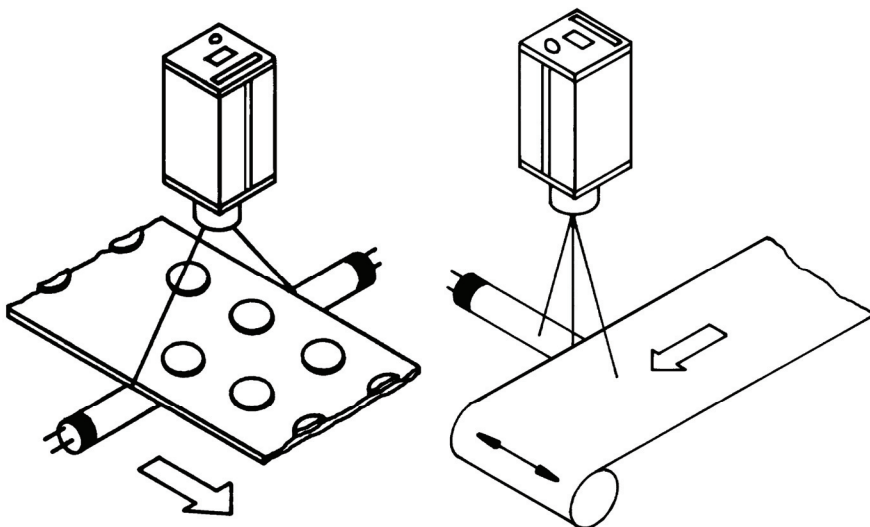
Typical Applications:

Edge control

Positioning

Length / width measuring

Sag detection



Applications:

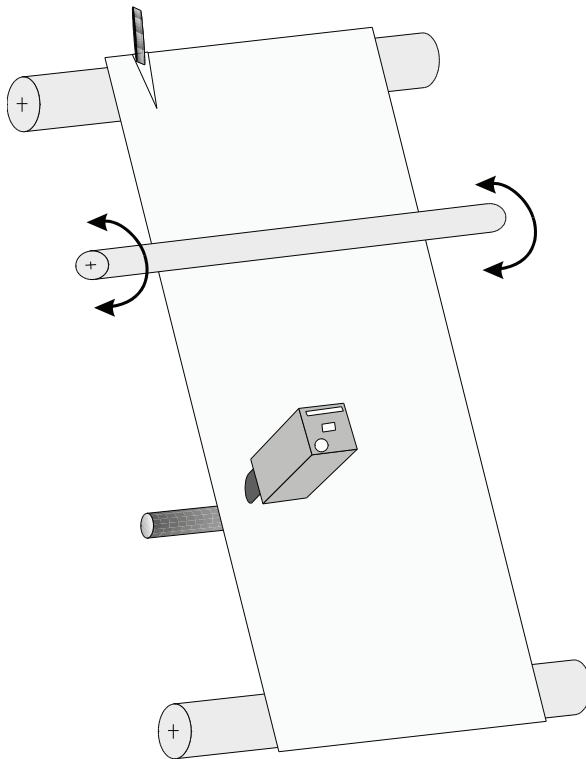
Applikation: Edge control

Task:

An endless grinding belt is cut in single narrow strips.

The position of the band is verified by a control mechanism.

The vertical position of the band must be corrected with an accuracy of 1mm.



Solution:

Linesensor FZS 1024 in transmitted light mode.

Operating mode 2 „from the left detection edge to the first falling edge (changing from light to dark)“.

The analog output-signal of the line sensor serves as a signal for the control mechanism.