

Introducing the TD140 Series In Cylinder Position Transducer.



SERIES:TD140

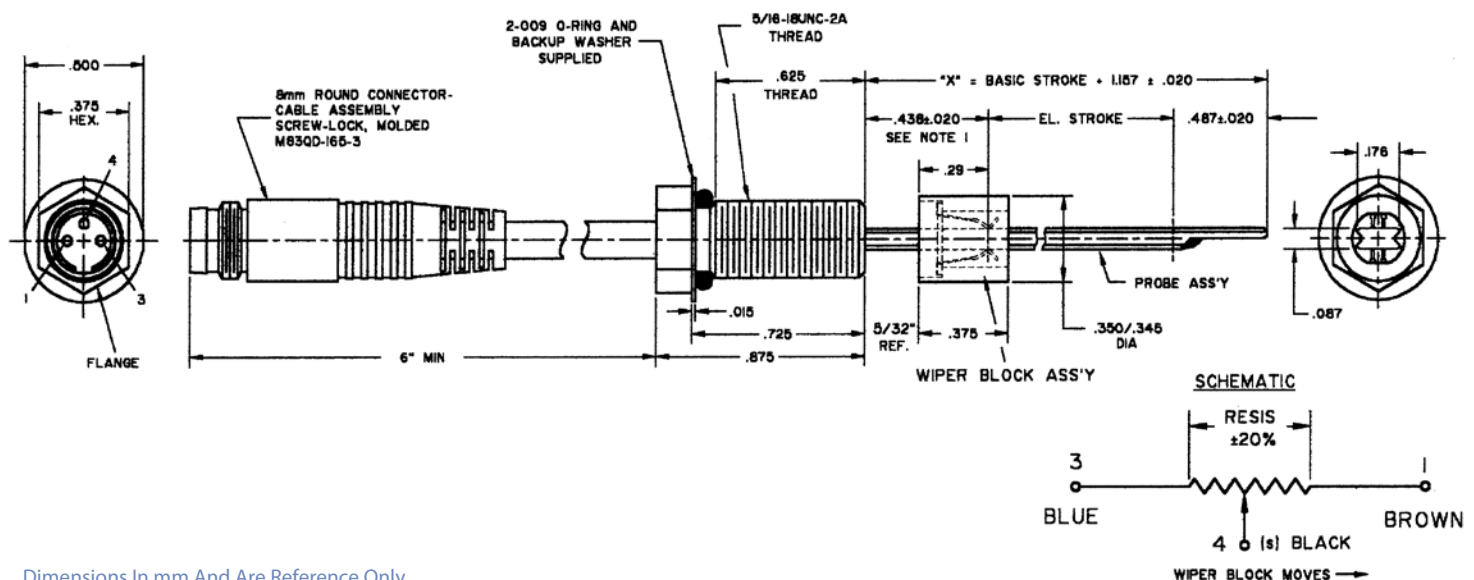
FEATURES

- Low Cost
- Compact
- Metal Header
- 2mA Max Cursor Current, 28 VDC Max Voltage
- 120psi Max Pressure

SPECIFICATIONS

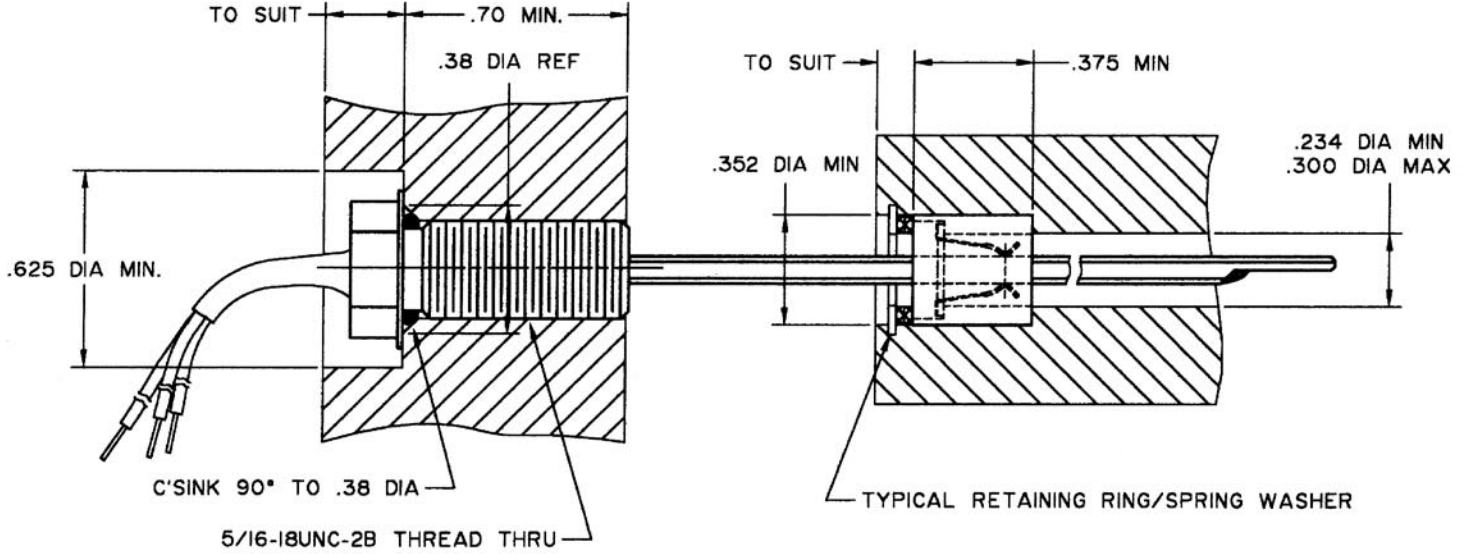
Resistance	1.0K OHM/INCH $\pm 20\%$
Linearity	$\pm 1.0\%$ IND
Basic Stroke	1" to 24"
Electrical Stroke	Basic Stroke + 0.232" ± 0.005
Mechanical Travel	Electrical Stroke + .040" MIN (each end)
Power Dissipation	1 WATT/INCH @ 25°C
Operating Temperature	-25°C to +100°C
Stroke Velocity	Hydraulic = 20" Per Sec, Pneumatic = 50" Per Sec
Life	Typically Greater Than 10 Million Cycles

DIMENSIONS



Dimensions In mm And Are Reference Only.

INSTALLATION



UNLESS OTHERWISE SPECIFIED DIMENSIONS ARE IN INCHES.

TOLERANCES
 2 PL DECIMALS ± .030
 3 PL DECIMALS ± .010
 FRACTIONS ± .015
 ANGLES ± 2.0°

DEBURR AND BREAK EDGES .005 TO .010.
 FINISH PER MIL-STD-10
 SURFACE ROUGHNESS ✓

Note: Due to the variation and uniqueness of applications and usages, the above information is supplied as a general application guideline. All design interfaces should be engineered for optimal system requirements.

ORDERING

Series Stroke Length

- | | |
|--------|--------|
| TD140M | 1" 22" |
| | 2" 24" |
| | 3" ** |
| | 4" |
| | 5" |
| | 6" |
| | 8" |
| | 10" |
| | 12" |
| | 18" |

**= Consult factory for further options.

Specifications may change without notice. The information we supply is believed to be accurate and reliable as of this printing. However, we assume no responsibility for its use. While we provide application assistance personally, through our literature and the Transducers Direct website, it is up to the customer to determine the suitability of the product in the application.

REV:01.09